



Electronic low profile surface mount reset timer... features 11 time ranges



DESCRIPTION

BRE enclosed construction with front facing dial and knob. The BRE timer has a heavy duty terminal block, with 9 screw terminals that will readily accept 16 gauge wire commonly used in industrial circuit wiring.

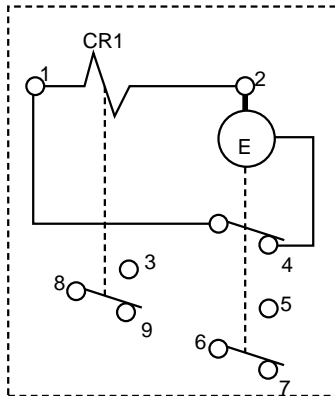
The case of the BR series timer is injection molded Lexan®. This material is recognized by Underwriters Laboratories for use as the sole support of current carrying components. Lexan is self-extinguishing, has a high impact strength, and high dimensional stability.

OPERATION

The NEW BRE series reset timers are micro proces-sor driven. They provide an accurate adjustable time delay between the actuation of the control circuit and the operation of the load switches. New standard pilot light is on during timing period.

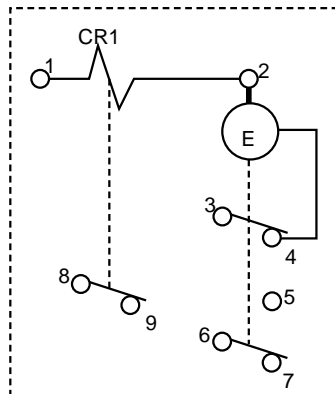
Standard Start

Instantaneous contact 8-9 and 8-3 operates directly with energization of 1 & 2, (CRI), offering different sequences of operation depending on the control circuit configuration. Delayed contacts 6-5 close and 6-7 and 1-4 open when timer reaches a timed out condition. Contacts 6-7 and 1-4 close and 6-5 open when timer is reset.



Reverse Start

Instantaneous contact 8-9 operates directly with the energization of 1 & 2 (CRI). Delayed contacts 6-5 close and 6-7 and 3-4 open when timer reaches a timed out position. Contacts 6-7 and 3-4 close and 6-5 open when timer is reset.



SPECIFICATIONS

Time Ranges:

| Sym. | Maximum Setting | Minimum Setting | Dial Mark Divisions |
|------|-----------------|-----------------|---------------------|
| 1 | 5 Sec. | .05 Sec. | 1/4 Sec. |
| 3 | 15 Sec. | .15 Sec. | 1 Sec. |
| 4 | 30 Sec. | .3 Sec. | 2 Sec. |
| 5 | 60 Sec. | .6 Sec. | 2 Sec. |
| 6 | 150 Sec. | 1.5 Sec. | 5 Sec. |
| 7 | 5 Min. | 3 Sec. | 15 Sec. |
| 8 | 10 Min. | 6 Sec. | 30 Sec. |
| 9 | 30 Min. | 18 Sec. | 2 Min. |
| 10 | 60 Min. | .6 Min. | 2 Min. |
| 11 | 5 Hr. | 3 Min. | 15 Min. |
| 12 | 10 Hr. | 6 Min. | 30 Min. |

Repeatability: Typical ±1/4% of full scale

Reset Time: 1 ms

Voltage/Frequency: 120V (+10, -15%), 50/60 Hz
240V (+10, -15%), 50/60 Hz

Power Consumption: 1.5 W

Output Rating: 10 amp, 1/4 HP, 120/240 VAC
1/2 amp, 125 VDC
1/4 amp, 240 VDC

Activation Time: 150 ms

Dial Setting Accuracy: 3% of full scale

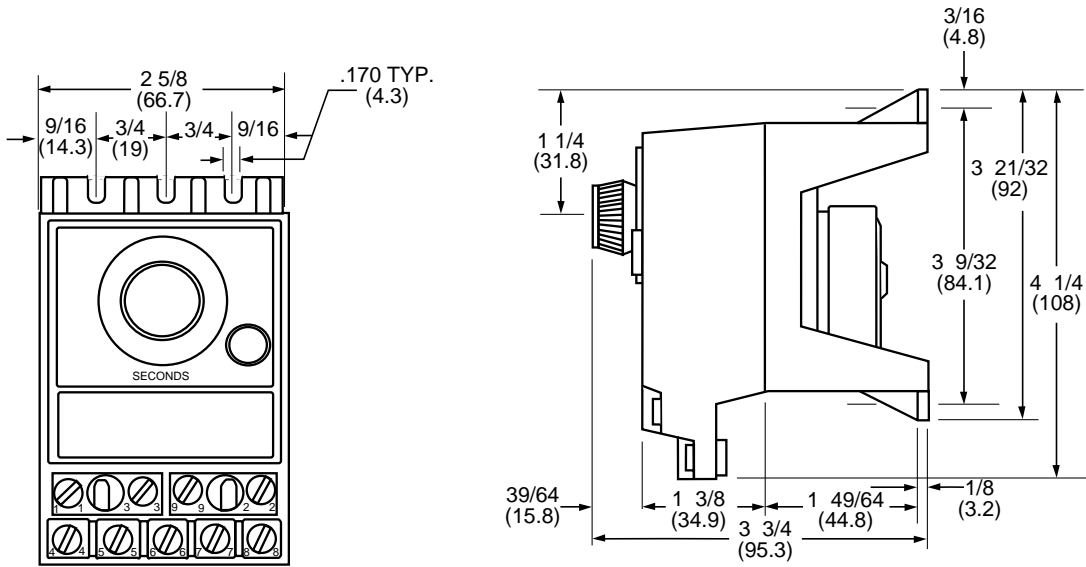
Minimum Setting: 2% of full scale

Operating Temperature: -10° to 140°F (-23° to +60°C)

Laboratory Testing: UL Recognition E61735; FM Approval 21038

DIMENSIONS

Inches (mm)



ORDERING INFORMATION

BR **E** **5** **A6** **01**

| Sym. | Description |
|------|--|
| E | Surface mounted with dial knob and 9 point screw type terminal block |

FEATURES

| Sym. | Description |
|-------|----------------|
| Blank | Standard Timer |
| 01 | Reverse Start |

TIME RANGE

| Sym. | Description | Sym. | Description |
|------|-------------|------|-------------|
| 1 | 5 Sec.* | 8 | 10 Min. |
| 3 | 15 Sec. | 9 | 30 Min. |
| 4 | 30 Sec. | 10 | 60 Min. |
| 5 | 60 Sec. | 11 | 5 Hr. |
| 6 | 150 Sec. | 12 | 10 Hr. |
| 7 | 5 Min. | | |

VOLTAGE & FREQUENCY

| Sym. | Description |
|------|----------------|
| A6 | 120V, 50/60 Hz |
| B6 | 240V, 50/60 Hz |

*Not available in B6 version