



**Description**

The Redington Model 722 provides an AC Hour Meter with an operating range of 90-264VAC 50/60 Hz. You no longer require two separate meters, one for 115VAC and one for 230VAC. Models are available in the standard industry housings, 2-Hole Rectangular, Flush-Rectangular, Flush-Round and 3-Hole Round. Its quartz time base insures accurate long-term time keeping. The Totally Sealed case protects against the environment and provides years of reliable service. All models are NEMA 4X,12 rated when mounted with optional gasket.

**Features**

- Operating voltage 90-264VAC 50/60Hz
- Totally Sealed
- UL/cUL Recognized, CE & RoHS Compliant
- 6 Figure, 99999.9
- Quartz accuracy

**Options**

- Wire leads
- Gasket kit (for NEMA 4X, 12 rating)
- Custom lens
- Terminals up, down, straight

**Specifications**

|                     |   |                          |  |
|---------------------|---|--------------------------|--|
| <b>Figures:</b>     | 6 - digits, 0.14" [3.6mm] 99999.9<br>Hours and indicator - white on black<br>Decimal - black on white | <b>Case Material:</b>    | Black polymer  |
| <b>Reset:</b>       | Non-reset   | <b>Lens Material:</b>    | Polymer  |
| <b>Voltage:</b>     | 90-264VAC   | <b>Agency Approvals:</b> | UL/cUL Recognized, CE & RoHS Compliant,<br>SAE & NEMA 4X, 12 Compliant |
| <b>Frequency:</b>   | 50/60Hz   | <b>Environmental:</b>    | Totally Sealed   |
| <b>Power:</b>       | 1 watt max.   | <b>Front Panel:</b>      | NEMA 4X, 12 rated with optional gasket                                 |
| <b>Mounting:</b>    | Clip or mounting holes  | <b>Temperature:</b>      | -40°F to +185°F [-40°C to + 85°C]                                      |
| <b>Termination:</b> | ¼" [6.3mm] spade terminals  | <b>Humidity:</b>         | 95% (SAE J1378)  |
| <b>Weight:</b>      | ~2 oz [57 g]  | <b>Vibration:</b>        | 10-80 Hz, 20g max. (SAE J1378)   |
| <b>Accuracy:</b>    | ± 0.02% over entire range   | <b>Shock:</b>            | 55g @ 9 - 13msec (SAE J1378)   |

**Models**

**Description**

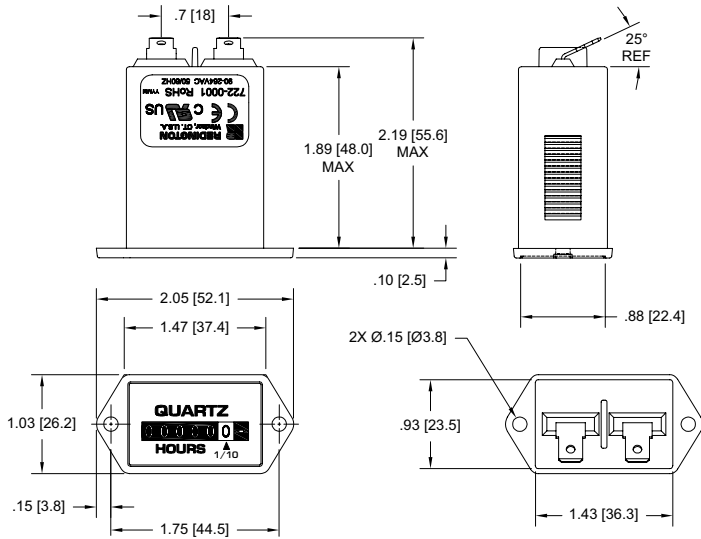
|                 |   |
|-----------------|---|
| <b>722-0001</b> | 2-Hole Rectangular, 90-264VAC 50/60Hz, ¼" [6.3mm] spade terminals, hours & 1/10's |
| <b>722-0002</b> | Flush-Rectangular, 90-264VAC 50/60Hz, ¼" [6.3mm] spade terminals, hours & 1/10's  |
| <b>722-0003</b> | Flush-Round, 90-264VAC 50/60Hz, ¼" [6.3mm] spade terminals, hours & 1/10's        |
| <b>722-0004</b> | 3-Hole Round, 90-264VAC 50/60Hz, ¼" [6.3mm] spade terminals, hours & 1/10's       |
| <b>5003-009</b> | NEMA 4X, 12 Gasket for Model 722-0002   |
| <b>5003-010</b> | NEMA 4X, 12 Gasket for Model 722-0001   |
| <b>5003-011</b> | NEMA 4X, 12 Gasket for Model 722-0004   |
| <b>5003-012</b> | NEMA 4X, 12 Gasket for Model 722-0003   |

\* All items are normally in factory stock



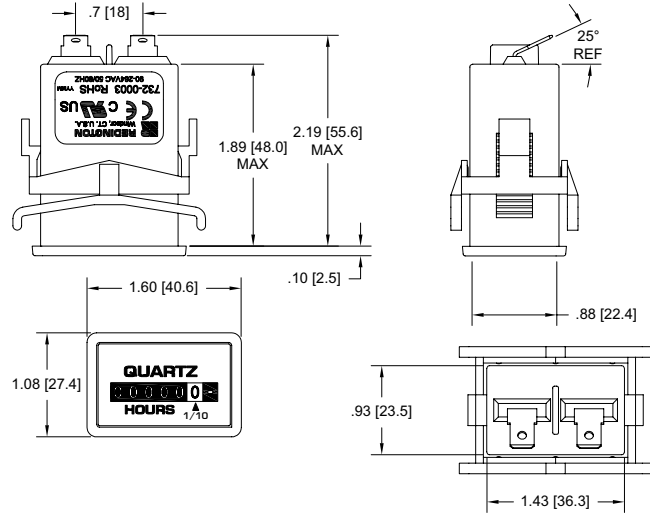
Dimensions

2-Hole



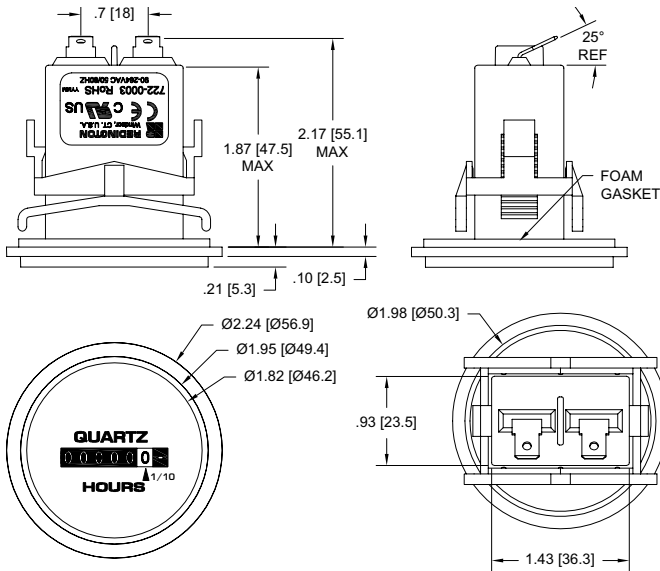
Panel Opening: 1.45" X 0.95" [36.8 X 24.1]

Flush-Rectangular



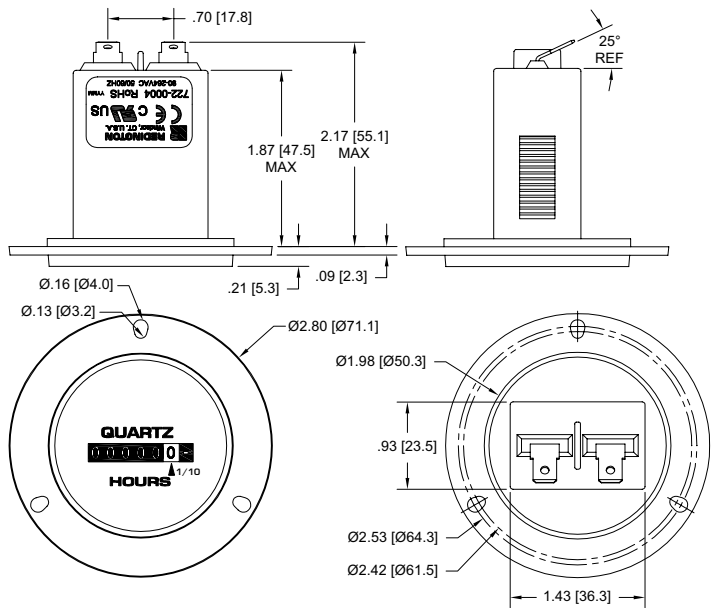
Panel Opening: 1.45" X 0.95" [36.8 X 24.1]  
Panel Thickness: 0.03 to 0.63 [0.76 to 16.00]

Flush-Round



Panel Opening: 2.0" [50.6]  
Panel Thickness: 0.40 [10.2] Max.

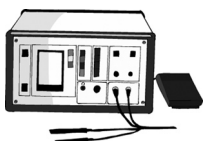
3-Hole Round



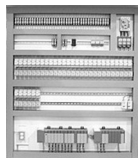
Panel Opening: 2.0" [50.6]

Applications

Medical Equipment



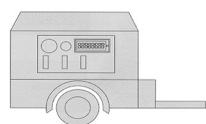
Control Panels



Test Equipment



Generators



Office Equipment

