

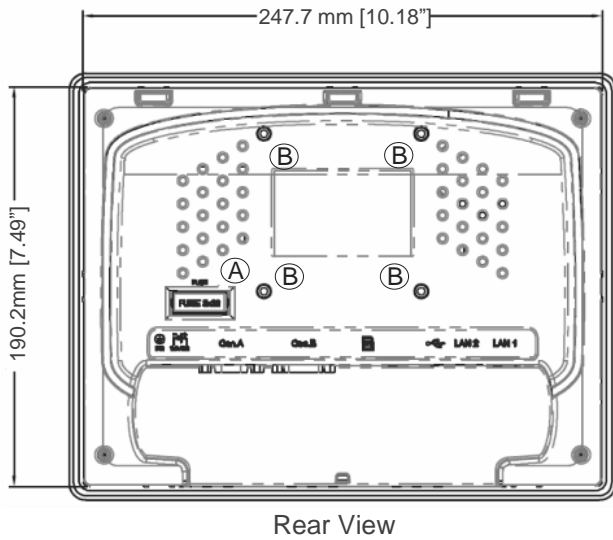
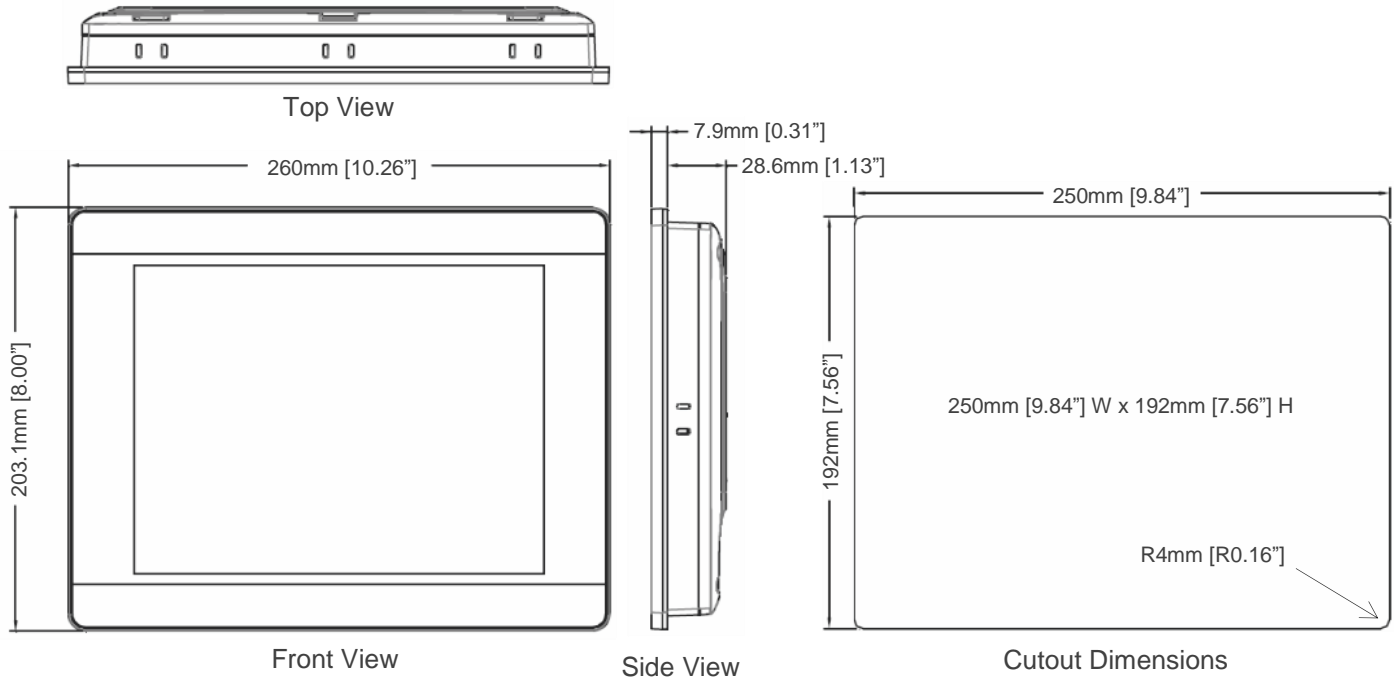


## 9.7" cMT HMI with Built-In Server



- Most Powerful 9.7" HMI
- 1024 x 600 Pixel Resolution
- Integral Gateway From Plant Floor to Internet
- Supports MQTT & OPC-UA Protocols
- Database Server

<b>System</b>	<b>CPU</b>	32-bit RISC Cortex-A9, 1 GHz
	<b>Memory (RAM)</b>	1 GB
	<b>Memory (Flash)</b>	4 GB
	<b>RTC</b>	Built-in
<b>I/O Ports</b>	<b>Serial</b>	1 x DE9P COM1: RS-232, COM3: RS-232*
		1 x DE9S COM2: RS-485 2 or 4 wire, COM3: RS-485 2 wire
	<b>LAN</b>	1 x 10/100 Base-T RJ-45, 1x GbE RJ-45
	<b>CANbus</b>	Yes
	<b>USB Host</b>	1 x USB 2.0
	<b>USB Client</b>	N/A
	<b>Audio</b>	Built-in Mono Speaker
	<b>Video</b>	N/A
	<b>Wi-Fi</b>	N/A
	<b>HDMI®</b>	N/A
<b>Display</b>	<b>SD Card Slot</b>	SD/SDHC
	<b>Display Type</b>	9.7" TFT LCD
	<b>Size (W x H)</b>	7.76 x 5.83 inches [197 x 148 mm]
	<b>Max. Resolution</b>	1024 x 768
	<b>Max. Color</b>	262K
	<b>Luminance (cd/m<sup>2</sup>)</b>	350
	<b>View Angle (H°/V°)</b>	140/130
	<b>Contrast Ratio</b>	500:1
<b>Touch Screen</b>	<b>Backlight Lifetime (Hours)</b>	30,000+
	<b>Type</b>	4-wire resistive touch
<b>Electrical</b>	<b>Active Area Accuracy</b>	Length (X) ±2%, width (Y) ±2%
	<b>Input Voltage</b>	24 ± 20% VDC
	<b>Input Current</b>	900 mA @ 24 VDC
	<b>Input Power</b>	21.6 W
	<b>Power Isolation</b>	Built-in
	<b>Isolation Resistance</b>	Exceed 50 MΩ at 500 VDC
<b>Mechanical</b>	<b>Enclosure</b>	Plastic, charcoal grey
	<b>PCB Coating</b>	Yes
	<b>Dimensions (W x H x D)</b>	10.26 x 8.00 x 1.44 inches [260 x 203 x 36.5 mm]
	<b>Net Weight</b>	Approx. 2.02 lbs. [0.92 kg]
<b>Environmental</b>	<b>Mounting</b>	Panel mounting, VESA 75 x 75
	<b>Operating Temperature</b>	32° ~ 122°F [0° ~ 50°C]
	<b>Storage Temperature</b>	-4° ~ 140°F [-20° ~ 60°C]
	<b>Relative Humidity</b>	10% ~ 90% (non-condensing)
	<b>Vibration Endurance</b>	10 to 25 Hz (X, Y, Z direction, 2G, 30 minutes)
	<b>Rating</b>	IP65 front panel, NEMA 4X (indoor use only)
<b>Software</b>	<b>Certifications</b>	cULus, CE, RoHS
		EasyBuilderPro (all versions) EasyAccess 2.0 pre-installed and activated
<b>Notes</b>	*Only Tx and Rx may be used for COM1 RS-232 while COM3 RS-232 is in use.	



- A Fuse
- B VESA 75 mm Screw Holes
- C Power Connector
- D COM Port DE9S
- E COM Port DE9P
- F SD Card Slot
- G USB 2.0 Host Port
- H Ethernet Port
- I Gigabit Ethernet Port

