

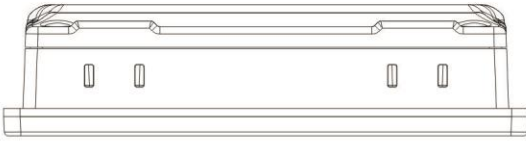
HMI with 4.3" TFT LCD Display



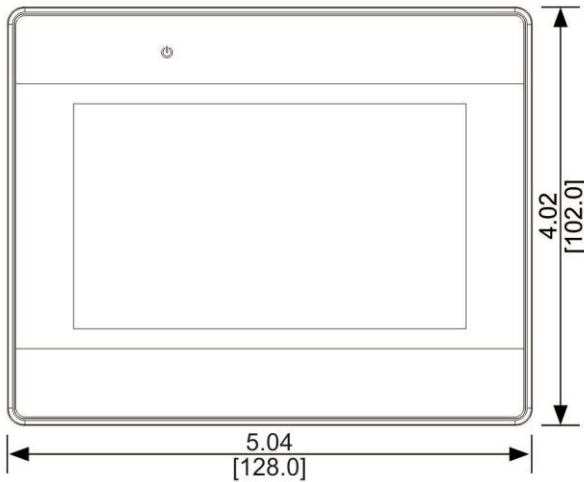
- 480 x 272 Pixel Resolution
- Cortex A8 600 MHz CPU
- Ethernet
- 1 Serial Port + 1 USB Port

System	CPU	32-bit RISC Cortex-A8, 600 MHz
	Memory (RAM)	128 MB
	Memory (Flash)	128 MB
	RTC	Built-in
I/O Ports	Serial Ports	1 x DE9P COM1: RS-232/RS-485 2 or 4 wire, COM 3: RS-485 2 wire N/A
	Ethernet	1 x 10/100 Base-T
	CAN bus	N/A
	USB Host	1 x USB 2.0
	USB Client	N/A
	Audio	N/A
	Video	N/A
	Wi-Fi	N/A
	HDMI	N/A
	SD Card Slot	N/A
	Display	Display Type
Size (W x H)		3.74 x 2.13 inches [95 x 54 mm]
Resolution (pixels)		480 x 272
Luminance (cd/m²)		400
Contrast Ratio		500:1
Max. Colors		16 M
Backlight Lifetime (hrs)		30,000+
Touch Screen	Type	4-wire resistive touch
	Active Area Accuracy	Length (X) ±2%, width (Y) ±2%
Electrical	Input Voltage	10.5 ~ 28 VDC
	Input Current	800 mA @ 12 VDC, 400 mA @ 24 VDC
	Power Isolation	Built-in
	Isolation Resistance	Exceed 50 MΩ at 500 VDC
Mechanical	Enclosure	Plastic, charcoal grey
	PCB Coating	N/A
	Dimensions (W x H x D)	5.04 x 4.02 x 1.26 inches [128 x 102 x 32 mm]
	Weight	0.55 lbs. [0.25 kg]
	Mounting	Panel mounting
Environmental	Operating Temperature	32° ~ 122°F (0° ~ 50°C)
	Storage Temperature	-4° ~ 140°F (-20° ~ 60°C)
	Relative Humidity	10% ~ 90% (non-condensing)
	Vibration Endurance	10 to 25 Hz (X, Y, Z direction, 2G, 30 minutes)
	Rating	IP65 compliant front panel, NEMA 4X indoor use only
	Certifications	CE, RoHS
Software	EZwarePlus (v5.07.01.150 or later)	
Notes		

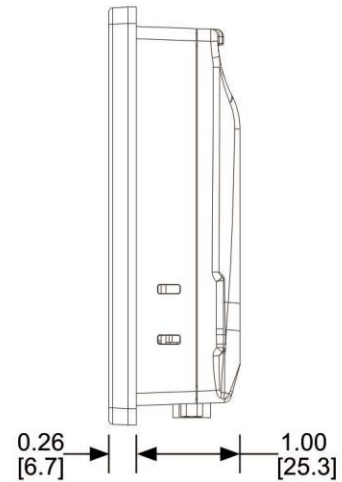
Top View



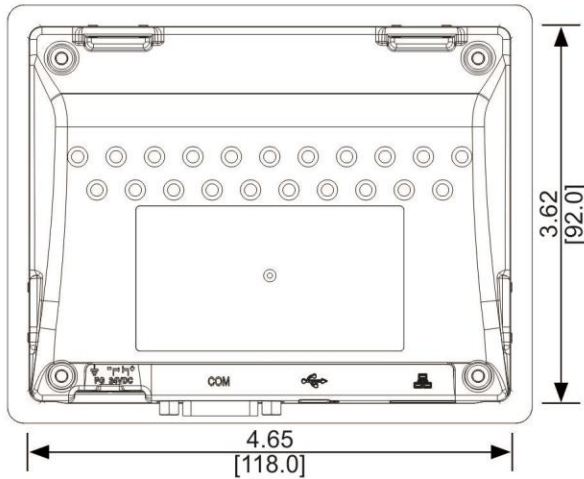
Front View



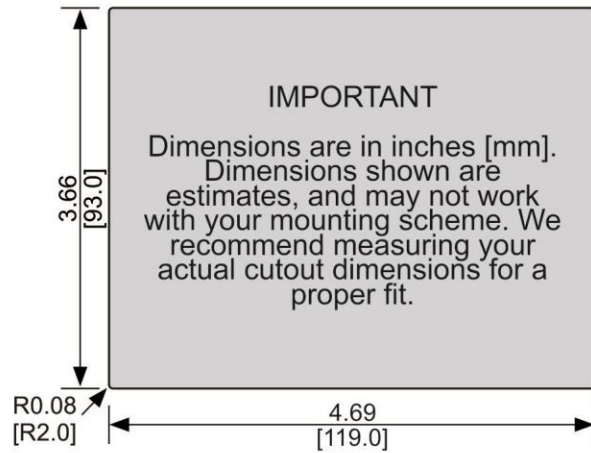
Side View



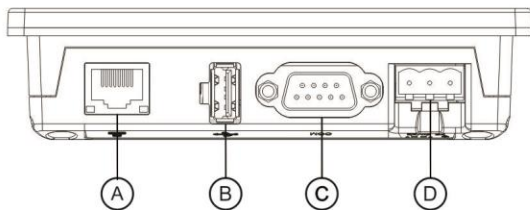
Rear View



Cutout Dimensions



Bottom View



- Ⓐ Ethernet port
- Ⓑ USB 2.0 host port
- Ⓒ Com port DE9P
- Ⓓ Power connector

Dimensions are in inches [mm]