

## Introduction

Your Veeder-Root brand C628 Rate Meter is one model in a family of 1/8 DIN units which offers breakthrough display technology as well as easy-to-program single-line parameters. Designed to provide instant visual feedback regarding an application's key input value, the C628 not only has a 0.71" high LED display (27% larger than other 1/8 DIN units), but also the ability to change display color based on process status (programmable parameter in Operation Mode). Easy programming is made possible via a help function and a secondary legend display.

This manual will guide you through the installation and wiring of your C628 unit with information on proper panel mounting and rear terminal layout and wiring instructions. In addition, the instrument's operation and programming modes are thoroughly explained. The Operation Mode provides day to day operation and allows editing of preset values. The Program Mode enables the configuration of various parameters prior to initial operation. These parameters include those for basic configuration as well as other settable features which will enhance the functionality and usability of the device.

This manual also provides information on the C628 Rate Meter's alarms; transistor, relay and linear outputs; product specifications; and ordering and warranty procedures.



### Features

- AWESOME 0.71" high digit LED display
- Programmable color change display based on an event
- Programmable help function and secondary legend display
- Display configurable for update time, min. number of pulses, and forced zero time
- Optional linear output relative to rate
- Choice of NPN, PNP, or magnetic primary input
- Filter speed settable for 20, 200, or 10,000 Hz
- Standard outputs: two NPN transistors & one relay (optional 2nd relay)
- Front panel reset enable and alarm lockout
- Optional RS-485 plug in card
- CE approved

### Index

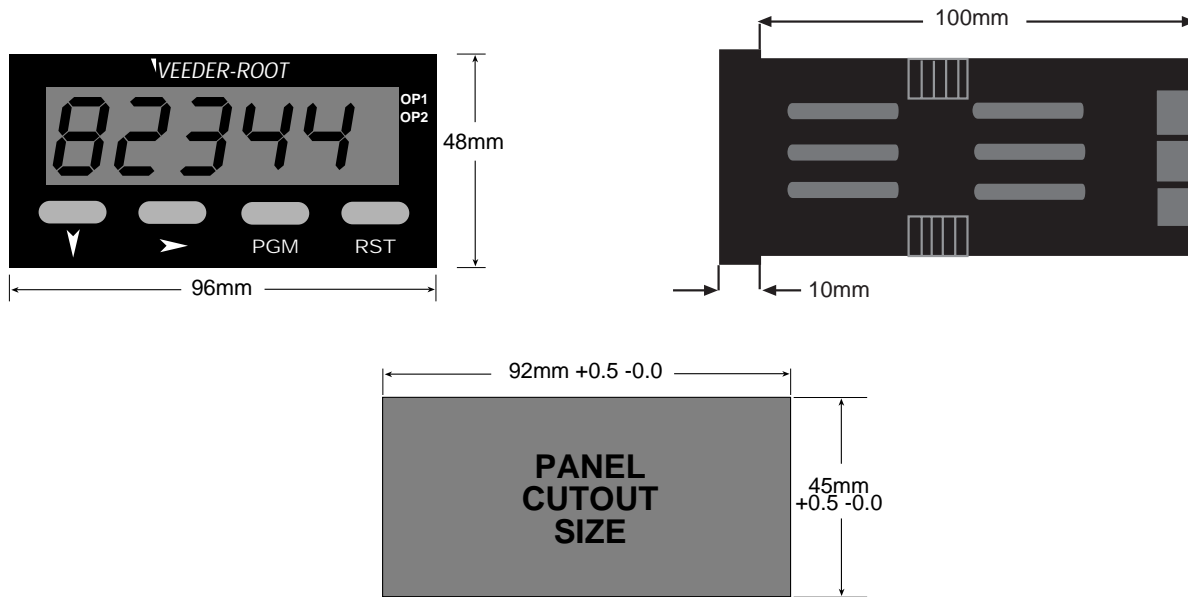
Installation	
Panel Mounting	page 2
Wiring	page 3
Operation	
Front Panel	page 4
Operation Mode	page 5
Programming	
Program Mode	page 6-10
Appendix A	
Specifications	page 11
General	
Ordering Information	page 12
Warranty	page 12

*Technical Manual  
702138-0003*

**Veeder-Root** brand  
**Series C628**  
**Rate Meter**  
**(C628-4XXX)**

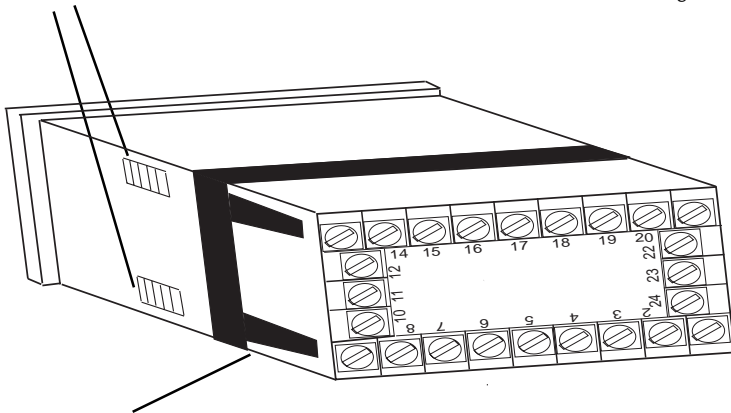
# INSTALLATION

## PANEL MOUNTING



The instrument can be mounted in a panel with a thickness of up to 6mm. The cutout(s) should be made based on the recommended panel opening illustrated in the drawing above.

### Mounting Grooves



Insert the unit in the panel through the cutout. Ensure that the panel gasket is not distorted and the instrument is positioned squarely against the panel. Slide the mounting clamp into place on the instrument, as shown to the left, and push it forward until it is firmly in contact with the rear face of the mounting panel and the tabs on the bracket arm are seated in the mounting grooves on the side of the unit.

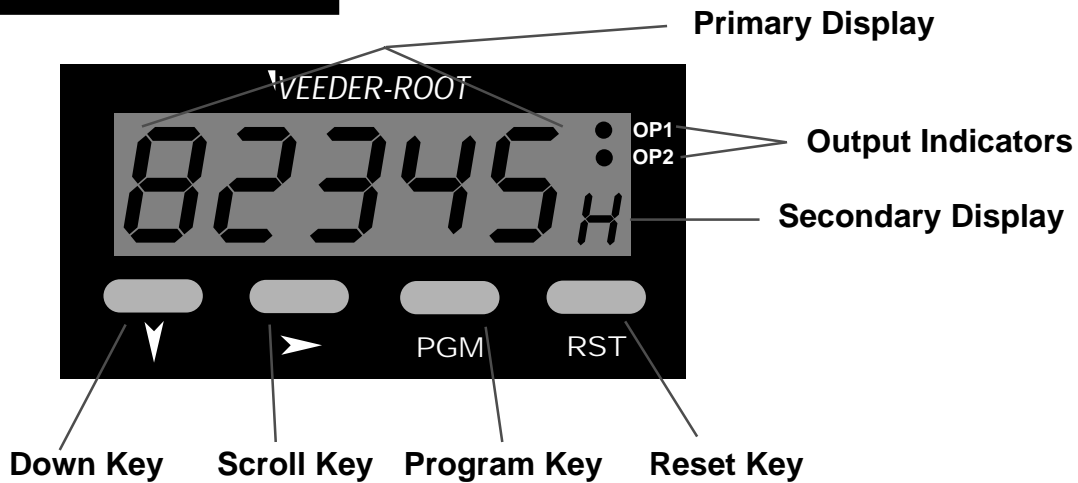
The electronic components of the instrument can be removed from the housing after installation without disconnecting the wiring. To remove the components, grip the side edges of the panel and pull the instrument forward. Take note of orientation of the unit for subsequent replacement in the housing.

### Bracket Arm



# OPERATION

## FRONT PANEL



### Key Functions

Key	Function
Down	<i>In Operation Mode:</i> Used in edit operation to decrement the digit highlighted by the Scroll key. <i>In Program Mode:</i> Used in Edit Operation to decrement the digit highlighted by the Scroll key, if the setting is a numerical value, or present the next in the series of choices for that parameter.
Scroll	<i>In All modes:</i> Moves the unit into Edit Operation, which is indicated by the left most digit flashing. Successive presses of the key are used to move to the digit to be edited. Wrap around will occur from least significant digit to most significant digit.
Program	<i>In Operation Mode:</i> Used to move between the rate value display, process time display, & the alarms and to enter an edited alarm value. Holding the key down for 3 seconds will cause the unit to enter Program Mode. <i>In Program Mode:</i> Used to move from one parameter to the next and enter the edited parameter values. Holding the key down for 3 seconds will cause the unit to return to Operation Mode.
Reset	<i>In All modes:</i> No function.
Down & Scroll together	<i>In All modes:</i> Will abort an Edit Operation and return the alarm/parameter to its previous value.

### Display Functions

Display	Function
Primary	<i>In Operation Mode:</i> Default display is the rate value. Can be scrolled using the program key to display the process time and alarm values. If the "Help" function is enabled, this display will first show the parameter description for 3 seconds (see page 5 for example). <i>In Program Mode:</i> Displays the value or selection for the current parameter. If the "Help" function is enabled, this display will first show the parameter description for 3 seconds (see page 6 for example).
Secondary	<i>In Operation Mode:</i> Indicates alphabetically which parameter is being viewed on the primary display. <i>In Program Mode:</i> Provides a 1 digit alpha or numeric character to indicate which parameter value is being shown on the primary display.
Output Indicators	<i>In Operation Mode:</i> OP1 illuminates when Output 1 is active. OP2 illuminates when Output 2 is active. <i>In Program Mode:</i> No function.

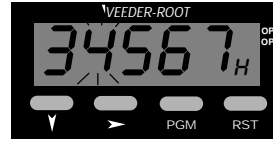
# OPERATION

## OPERATION MODE

### CHANGING A PARAMETER VALUE



Default display is the rate value.



Use the Scroll Key to move from left to right and highlight the digit that needs to be changed. Wrap around will occur from the least significant to the most significant digit.



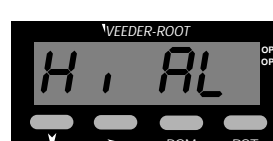
Pressing the Program Key will cause the display description to appear on the main display.\* If there is no key activity for 3 seconds, the primary display will switch back to the rate value.



Use the Down Key to decrement the digit until the desired value appears. The display will wrap around from 0 to 9.



Continued pressing of the Program Key will scroll through the Parameters. (See Parameter Sequence below.) The full parameter description will appear on the main display.\*



After the desired digits have been changed, press the Program Key to enter the new value. The new value will appear on the main display without any flashing digits. Press the Program Key again and the parameter description will appear on the main display.

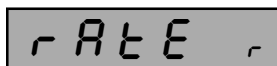


To change a Parameter value, press the Scroll Key. If there was no key activity for 3 seconds, the Preset value will appear (one digit description shown on secondary display); however, press the Scroll Key in order to edit. The unit will now be in Edit Operation as signified by the most significant digit flashing.\*\*

\* Parameter descriptions will not appear on the primary display if the "Help" function has been disabled.

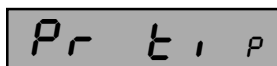
\*\* Edit Operation cannot be accessed if the Preset Lock has been enabled in Program Mode.

### PARAMETER SEQUENCE



#### Rate Value

*Function:* Displays present rate value  
*Range:* 0 to 99999



#### Process Time

*Function:* Displays present process time (an inverse speed calculation)  
*Range:* 0 to 99999



[can indicate travel time through a conveyORIZED oven]



#### High Alarm Value

*Function:* Defines the rate value at or above which Alarm 1 will activate  
*Adjustment Range:* 0 to 99999  
*Default Value:* 1000



#### Low Alarm Value

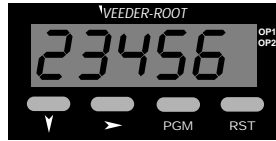
*Function:* Defines the rate value at or below which Alarm 2 will activate  
*Adjustment Range:* 0 to 99999  
*Default Value:* 10

# PROGRAMMING

## PROGRAM MODE

### ENTERING PROGRAM MODE AND BASIC OPERATION

The Program Mode can be accessed from the Operation Mode by holding the Program Key for 3 seconds.



PGM for 3 seconds

The name of the first parameter will appear on the primary display.\*

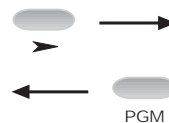


PGM

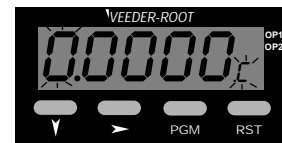
Successive presses of the Program Key will scroll the display through the remaining parameters in the Program Mode. To exit Program Mode, hold the Program Key for 3 seconds.



no key activity for 3 secs. or



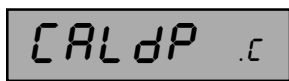
### Edit Operation



Pressing the Scroll Key or no key activity for 3 seconds will display the value for that parameter. The secondary display will indicate the one digit identifier for the parameter. The digit in the secondary display will flash to indicate the unit is in Program Mode. If the Scroll Key was pressed (instead of waiting 3 seconds), the unit is in Edit Operation, as indicated by the MSD flashing. If there had been no key activity for 3 seconds, press the scroll key to enter Edit Operation (MSD flashing). Use the scroll and edit buttons to change the value as in Operation Mode, described on page 5. Press the Program Key to enter any changes.

\* Parameter names will not appear on the main display if the "Help" function has been disabled in Program Mode.

### PARAMETER SEQUENCE



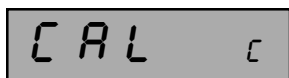
PGM

#### Calibration Factor Decimal Point

*Function:* Sets the decimal point position for the calibration factor display

*Adjustment Range:* 0 to 0.0000

*Default Value:* 0.0



PGM

#### Calibration Factor

*Function:* Used to scale the input into engineering units by multiplying this value by the input frequency

*Adjustment Range:* 0.0001 to 9.9999

*Default Value:* 1.0000

## PROGRAM MODE Continued

d E c P d



### Decimal Position

*Function:* Set the decimal point position for the rate and preset displays

*Adjustment Range:* 0 to 0.0000

*Default Value:* 0

r A t P r



### Rate Mode

*Function:* Defines how the input pulses will be applied to the rate value

*Adjustment Range:*

A

A: Inputs on the A channel increment the total

A\_b

A/B: Divides the rate of the A channel by the rate of the B channel to display a ratio between the inputs

A t . P r

A Time: Displays the frequency of Input A as an inverse speed which, for example, can indicate travel time through a conveyORIZED oven

*Default Value:* A

Input,



### Input Type

*Function:* Programs the unit to match the electrical characteristics of the input signal

*Adjustment Range:*

S in

Sinking: The unit will accept a NPN or dry contact input which sinks voltage to common

S r c

Source: The unit will accept a PNP input which sources voltage

P r A G

Magnetic: The unit will accept a magnetic input from 0.5 to 30V peak

*Default Value:* Sinking

S P E E D F



### Filter Speed

*Function:* Enables the debounce filter of the meter to properly match the application

*Adjustment Range:*

20

20: The unit will accept up to 20 pulses per second. Generally used with contact inputs to eliminate false counts caused by contact bounce

200

200: The unit will accept up to 200 pulses per second. Generally used for higher speed contact inputs or to filter noise on electronic signals in low speed applications

10000

10,000: The unit will accept up to 10,000 pulses per second. Generally used with high speed electronic inputs and encoders

*Default Value:* 10000

## PROGRAM MODE Continued

uPdAt U

PGM

### Display Update Time

*Function:* Sets the amount of time between display updates

*Adjustment Range:*

0.1

0.1 sec.

0.25

0.25 sec.

0.5

0.5 sec.

1 to 10

1 to 10 sec.

*Default Value:* 1

0 t, 0

PGM

### Display to Zero Time

*Function:* Displays minimum input frequency by setting the amount of time after no pulses are received, when the display will show zero

*Adjustment Range:*

0.1

0.1 sec.  
(10 Hz.)

0.25

0.25 sec.  
(4 Hz.)

0.5

0.5 sec.  
(2 Hz.)

1 to 10

1 to 10 sec.  
(1 Hz to 0.1 Hz)

*Default Value:* 1

Pu 15 P

PGM

### Minimum Pulses

*Function:* Sets the minimum number of pulses to be received before the display will update the rate value.

*Note:* Display Update Time and Minimum Pulses must be realized before the display will update

*Adjustment Range:* 1 to 99

*Default Value:* 10

St r t 5

PGM

### Startup Suppression

*Function:* Determines the delay period that will occur after power-up before alarm operation is possible

*Adjustment Range:* 0 to 99 secs.

*Default Value:* 0

r t Ent

PGM

### Retransmission Enable/Select

*Function:* Determines whether a voltage/current is an output, and if so, which range

*Adjustment Range:*

non E

None

0-5 V

0-5 Volts

0-10 V

0-10 Volts

0-20 A

0-20 mA

4-20 A

4-20 mA

*Default Value:* None



## PROGRAM MODE Continued

rt LoL



### Retransmission Scale Minimum *(Appears only if a current/voltage is selected)*

*Function:* Defines the lower end of the linear scale for the retransmission output by defining the value equated to the minimum output signal - i.e. for a 4-20 mA output, this would be the value corresponding to 4 mA

*Adjustment Range:* 0 to 99999

*Default Value:* 0

rt HiH



### Retransmission Scale Maximum *(Appears only if a current/voltage is selected)*

*Function:* Defines the upper end of the linear scale for the retransmission output by defining the value equated to the maximum output signal - i.e. for a 4-20 mA output, this would be the value corresponding to 20 mA

*Adjustment Range:* 0 to 99999

*Default Value:* 100

CoM75 c



### Serial Communication Enabled

*Function:* Activates the RS-485 communication option board

*Adjustment Range:*

none

Fitted

None: No communication board installed      Fitted: A communication board is installed in the unit

*Default Value:* If ordered from the factory with the RS-485 board, the default will be "fitted". If the board is installed in the field, this parameter will need to be changed from its default of "none"

Addr A



### Communication Address *(Appears only if communication board is installed and activated)*

*Function:* Defines the unique communication address of the counter

*Adjustment Range:* 1 to 99

*Default Value:* 1

bAud b



### Baud Rate *(Appears only if communication board is installed and activated)*

*Function:* Selects the serial communication speed

*Adjustment Range:*

1200

2400

4800

9600

1200 BPS

2400 BPS

4800 BPS

9600 BPS

*Default Value:* 4800

## PROGRAM MODE Continued

Color ◦

### Display Color Change

*Function:* Defines the color of the display for prior to and after the preset value is reached

*Adjustment Range:*

red

Red: The display will always be red

GREEN

Green: The display will always be green

Gr\_rd

Green to Red: The display will be green prior to the Alarm value being reached. It will turn red after the Alarm has been reached

rd\_Gn

Red to Green: The display will be red prior to the Alarm value being reached. It will turn green after the Alarm has been reached

*Default Value:* Green to Red



Lock P

### Preset Lock

*Function:* Determines whether the Preset Values can be changed via the front panel

*Adjustment Range:*

En

Enable: Preset values are read only

dis

Disabled: Preset values can be viewed and changed

*Default Value:* Disable



HELP h

### Help Prompt

*Function:* Determines whether the multi-character parameter name will appear on the main display for 3 seconds prior to the parameter value appearing

*Adjustment Range:*

HLP Y

Help - Yes: Multi-character parameter descriptions will appear on the primary display. The value associated with that parameter will appear by pressing the scroll key or waiting for 3 seconds

HLP N

Help - No: Only the parameter values will appear on the primary display. The parameter can be identified by a single digit in the secondary display

*Default Value:* Help - Yes

## SPECIFICATIONS

### Count Inputs

Type:	Sinking/Sourcing or Contact Closure
Frequency:	10 kHz max.
Logic:	Low $\leq$ 2.0 VDC, High $\geq$ 3.0, 30V max.
Impedance:	10 K $\Omega$ to common - Sourcing 4.7 K $\Omega$ to +Voltage - Sinking
Magnetic Input:	0.6 to 30V peak

### Control Inputs

Type:	Sinking, Edge Sensitive
Logic:	Low $\leq$ 2.0 VDC, High $\geq$ 3.0
Impedance:	4.7 K $\Omega$ to +Voltage
Response Time:	25 ms
Function:	Input 1: Display Hold Input 2: Security Lockout

### Outputs

Solid State:	NPN open collector, 30 VDC max, 100 mA max.
Relay:	SPDT, 5A resistive @ 110VAC
Latency:	75 $\mu$ seconds, plus 8 ms for relay pull-in

### Linear Outputs

Ranges:	0-20mA, 4-20mA, 0-10V, 2-10V, 0-5V, 1-5V
Accuracy:	$\pm$ 0.25% (mA at 250 $\Omega$ , V at 2k $\Omega$ ); degrades linearly to $\pm$ 0.5%
Resolution:	8 bits in 250ms (10 bits in 1s typ.)
Update:	Approximately 4/s
Load Impedence:	mA Ranges: 500 $\Omega$ max.; V Ranges: 500 $\Omega$ min.

### Approvals

General:	CE
EMC Susceptibility:	Complies with EN50082-1: 1992, EN50082-2: 1995
EMC Emissions:	Complies with EN50081-1: 1992, EN50081-2: 1994
Safety:	Complies with EN61010-1: 1993

### Communication

Type:	Serial asynchronous, UART to UART
Data Format:	Open ASCII: One start bit, even parity seven data bits, one stop bit
Physical Layer:	RS-485
Maximum Zones:	99
Baud Rate:	Selectable from 9600, 4800, 2400, or 1200

### Electrical

Supply Voltage:	90-264 VAC, 50/60 Hz, or 20-50 VAC/VDC
Power Consumption:	4 Watts
Access. Power Supply:	9-15 (unregulated VDC), 125 mA max.

### Display

Type:	Red/Green, 7 segment LED, 5 digits primary display, single digit secondary display
Height:	0.71" (18mm) primary display, 0.3" (7mm) secondary display
Annunciators:	Output 1 & 2 status

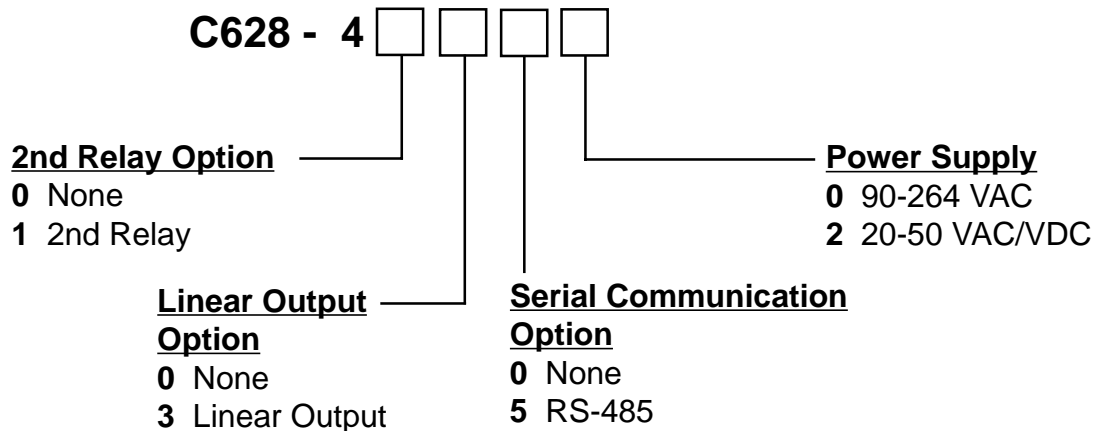
### Physical

Dimensions:	48mm x 96mm, 110mm deep
Mounting:	Panel mount (mounting bracket supplied), 45mm x 92mm cutout
Terminals:	Screw type - combination head
Front Panel Rating:	NEMA 4X/IEC IP65
Case Material:	GE Lexan 940
Weight:	0.56 lbs.

### Environmental

Operating Temp.:	0° to 55° Celsius, 32° to 131° Fahrenheit
Storage Temp.:	-20° to 80° Celsius, -4° to 176° Fahrenheit
Relative Humidity:	20% to 95% non-condensing

**ORDERING INFORMATION**



Additional outputs and options can be field installed through plug-in boards which can be ordered separately.

Description	Part #
Relay Board	T50-001
DC Linear Board	T50-003
RS-485 Comm. Board	T50-005

**WARRANTY**

Standard products manufactured by the Company are warranted to be free from defects in workmanship and material for a period of one year from the date of shipment, and products which are defective in workmanship or material will be repaired or replaced, at the option of the Company, at no charge to the Buyer. Final determination as to whether a product is actually defective rests with the Company. The obligation of the Company hereunder shall be limited solely to repair and replacement of products that fall within the foregoing limitations, and shall be conditioned upon receipt by the Company of written notice of any alleged defects or deficiency promptly after discovery within the warranty period, and in the case of components or units purchased by the Company, the obligation of the Company shall not exceed the settlement that the Company is able to obtain from the supplier thereof. No products shall be returned to the Company without its prior consent. Products which

the Company consents to have returned shall be shipped F.O.B. the Company's factory. The Company cannot assume responsibility or accept invoices for unauthorized repairs to its components, even though defective. The life of the products of the Company depends, to a large extent, upon the type of usage thereof, and THE COMPANY MAKES NO WARRANTY AS TO FITNESS OF ITS PRODUCTS FOR SPECIFIC APPLICATIONS BY THE BUYER NOR AS TO PERIOD OF SERVICE UNLESS THE COMPANY SPECIFICALLY AGREES OTHERWISE IN WRITING AFTER THE PROPOSED USAGE HAS BEEN MADE KNOWN TO IT.

THE FOREGOING WARRANTY IS EXCLUSIVE AND IN LIEU OF ALL OTHER WARRANTIES EXPRESSED OR IMPLIED, INCLUDING, BUT NOT LIMITED TO ANY WARRANTY OF MERCHANTABILITY OR OF FITNESS FOR A PARTICULAR PURPOSE.

Printed in U.S.A.  
 702138-0003  
 March 1998  
 Revision none



1675 Delany Road  
 Gurnee, IL 60031-1282  
 Phone: 847.662.2666  
 Fax: 847.662.6633